

HEXAGONAL NYLON PILLARS

KEY FACTS

- Material: Body – Nylon 66 (natural)
Inserts – Nylon Brass (self colour).
- Operating temperature: -30°C to +85°C.
- Flammability ratings on application.
- All dimensions in millimetres.
- RoHS compliant.

PRICING GUIDE

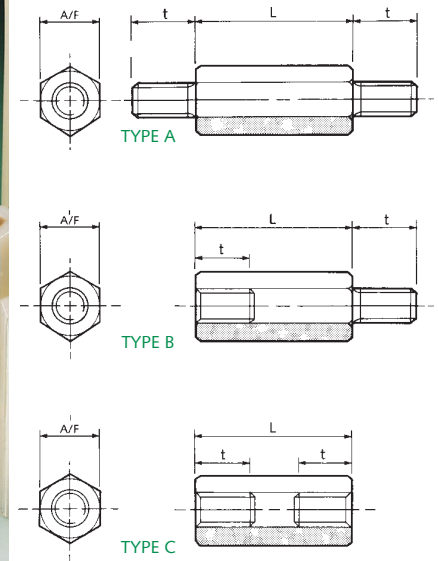
- All prices £/100.
- Minimum order 100 pieces.
- Attractive quantity discounts available.
- Carriage is charged on all orders.
- Plated inserts cost plus 10%.
- Special features such as non-standard thread lengths, odd ends etc. are available.

CUSTOM MADE PILLARS

In addition to our standard range of Hexagonal Nylon Pillars we offer a process which allows the body length, type and length of thread to be adjusted quickly and economically so that you may call for your exact requirements. However the best possible delivery is likely to be for the metric lengths listed opposite.



HEXAGONAL PILLARS



Mulder-Hardenberg B.V., The Netherlands
Tel.: +31 (0)23 - 531 91 84
infonl@m-h.biz

Mulder-Hardenberg N.V., Belgium
Tel.: +32 (0)3 - 660 13 20
infobe@m-h.biz

Mulder-Hardenberg GmbH, Germany
Tel.: +49 (0)6192 - 97 91 85
infode@m-h.biz

www.mulder-hardenberg.com

HEXAGONAL NYLON PILLARS TYPE A,B, or C

Thread		M3 also available M2, M2.5 6BA & 4-40 UNC	M4 also available M3.5 4BA & 6-32 UNC	M5 also available 2BA & 8-32 UNC	M6 also available 0BA & 1/4-20 UNC	
Thread Length and Depth 't'		6.0	6.0	10.0	12.7	
Body size across flats		6.35 A/F	8.0 A/F	9.5 A/F	12.7 A/F	
Order Code		Order Code	Order Code	Order Code	Order Code	
Body Length 'L' (Millimetres)	15	HNP 15-A-M3 HNP 15-B-M3 HNP 15-C-M3	HNP 15-A-M4 HNP 15-B-M4 HNP 15-C-M4			
	20	HNP 20-A-M3 HNP 20-B-M3 HNP 20-C-M3	HNP 20-A-M4 HNP 20-B-M4 HNP 20-C-M4	HNP 20-A-M5 HNP 20-B-M5 HNP 20-C-M5		
	25	HNP 25-A-M3 HNP 25-B-M3 HNP 25-C-M3	HNP 25-A-M4 HNP 25-B-M4 HNP 25-C-M4	HNP 25-A-M5 HNP 25-B-M5 HNP 25-C-M5	HNP 25-A-M6 HNP 25-B-M6 HNP 25-C-M6	
	30	HNP 30-A-M3 HNP 30-B-M3 HNP 30-C-M3	HNP 30-A-M4 HNP 30-B-M4 HNP 30-C-M4	HNP 30-A-M5 HNP 30-B-M5 HNP 30-C-M5	HNP 30-A-M6 HNP 30-B-M6 HNP 30-C-M6	
	35	HNP 35-A-M3 HNP 35-B-M3 HNP 35-C-M3	HNP 35-A-M4 HNP 35-B-M4 HNP 35-C-M4	HNP 35-A-M5 HNP 35-B-M5 HNP 35-C-M5	HNP 35-A-M6 HNP 35-B-M6 HNP 35-C-M6	
	40	HNP 40-A-M3 HNP 40-B-M3 HNP 40-C-M3	HNP 40-A-M4 HNP 40-B-M4 HNP 40-C-M4	HNP 40-A-M5 HNP 40-B-M5 HNP 40-C-M5	HNP 40-A-M6 HNP 40-B-M6 HNP 40-C-M6	
	45	HNP 45-A-M3 HNP 45-B-M3 HNP 45-C-M3	HNP 45-A-M4 HNP 45-B-M4 HNP 45-C-M4	HNP 45-A-M5 HNP 45-B-M5 HNP 45-C-M5	HNP 45-A-M6 HNP 45-B-M6 HNP 45-C-M6	
	50	HNP 50-A-M3 HNP 50-B-M3 HNP 50-C-M3	HNP 50-A-M4 HNP 50-B-M4 HNP 50-C-M4	HNP 50-A-M5 HNP 50-B-M5 HNP 50-C-M5	HNP 50-A-M6 HNP 50-B-M6 HNP 50-C-M6	
	55			HNP 55-A-M4 HNP 55-B-M4 HNP 55-C-M4	HNP 55-A-M5 HNP 55-B-M5 HNP 55-C-M5	HNP 55-A-M6 HNP 55-B-M6 HNP 55-C-M6
	60			HNP 60-A-M4 HNP 60-B-M4 HNP 60-C-M4	HNP 60-A-M5 HNP 60-B-M5 HNP 60-C-M5	HNP 60-A-M6 HNP 60-B-M6 HNP 60-C-M6
	65			HNP 65-A-M4 HNP 65-B-M4 HNP 65-C-M4	HNP 65-A-M5 HNP 65-B-M5 HNP 65-C-M5	HNP 65-A-M6 HNP 65-B-M6 HNP 65-C-M6
70			HNP 70-A-M4 HNP 70-B-M4 HNP 70-C-M4	HNP 70-A-M5 HNP 70-B-M5 HNP 70-C-M5	HNP 70-A-M6 HNP 70-B-M6 HNP 70-C-M6	
75			HNP 75-A-M4 HNP 75-B-M4 HNP 75-C-M4	HNP 75-A-M5 HNP 75-B-M5 HNP 75-C-M5	HNP 75-A-M6 HNP 75-B-M6 HNP 75-C-M6	

SHOCK RESISTING • INSULATING • ADAPTABLE

PLEASE USE ORDERING CODE HNP 25-B-M3
 Hexagonal Nylon Pillar _____
 Body Length _____
 Type A, B or C _____
 Thread Size _____



Mulder-Hardenberg B.V., The Netherlands
 Tel.: +31 (0)23 - 531 91 84
 infonl@m-h.biz

Mulder-Hardenberg N.V., Belgium
 Tel.: +32 (0)3 - 660 13 20
 infobe@m-h.biz

Mulder-Hardenberg GmbH, Germany
 Tel.: +49 (0)6192 - 97 91 85
 infode@m-h.biz

www.mulder-hardenberg.com